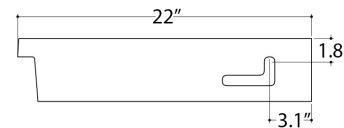
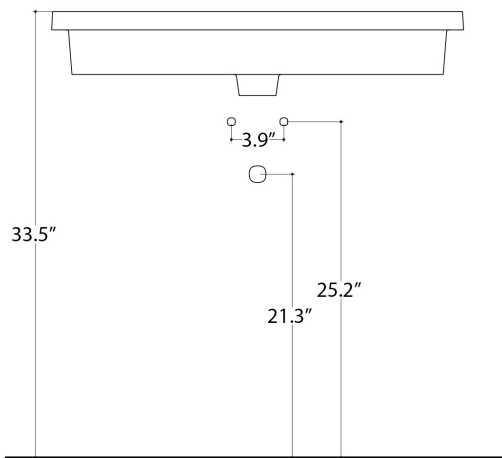
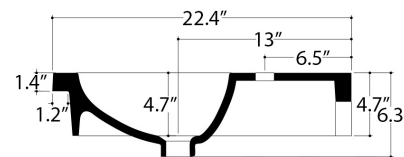
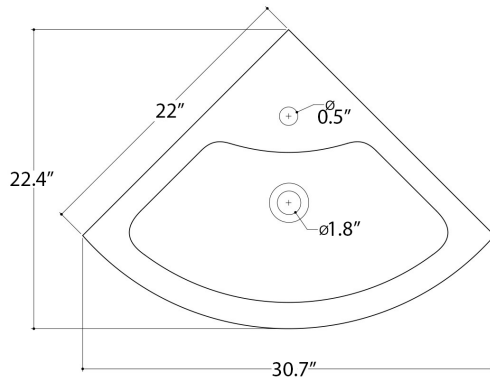


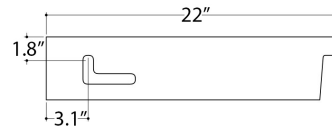
AXA

KART

WS323001F_CONSOLE ANGOLARE



vista laterale dx



vista laterale sx

N.B.: Le misure indicate possono subire una variazione dello 0.8 % circa, dovuta ad usura stampi o a piccole variazioni delle caratteristiche tecniche relative alle materie prime che compongono l' impasto.

N.B.: Indicated size could have a variation of about 0.8 % due to the usure of the moulds or the small variations of the raw materials' technical characteristics used in the mixture.

Collection
Kart

Model |
Kart 57 - WS323001F

Dimensions Metric

1 inch = 2.54 cm
1 inch = 25.4 mm

WS[®]
BATH
COLLECTIONS

1051 Lea Drive - Collegeville, PA 19426
Tel. 215 513 9400 - Fax 610 831 0215

www.ws bathcollections.com - info@ws bathcollections.com

We recommend the following items that work with your sink.

TRAPS



Linea 53922
Our best seller



Linea 5392



Linea 53925



Linea 53921
Space saving

DRAINS



Linea 53991
Push waste drain (click clack)
with overflow

MOUNTING HARDWARE

Wall-mount installation



Bolts

Vessel/ countertop installation



Silicone (*optional*)

Collection
Kart

Model |
Kart 57 - WS323001F

Dimensions Metric
1 inch = 2.54 cm
1 inch = 25.4 mm

WS®

**BATH
COLLECTIONS**

1051 Lea Drive - Collegeville, PA 19426
Tel. 215 513 9400 - Fax 610 831 0215
www.ws bathcollections.com - info@ws bathcollections.com