

Picola 52535

Features

- Toilet Paper Holder
- Polished Chrome Finish
- Solid Brass Base
- Premium Metal Construction for Durability and Reliability
- Wall Mount Installation
- Installation Hardware Included
- Designed Without Back Plate
- Designer Collection
- Italian Design




SKU# | Option:

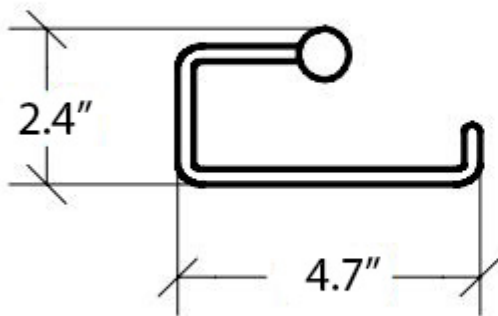
- Picola 52535 | Polished Chrome

Finishes:



* WS Bath Collections reserves the right to revise dimensions or information on this sheet without notice

Collection Picola	Model Picola 52535	Dimensions Metric <i>1 inch = 2.54 cm</i> <i>1 inch = 25.4 mm</i>	 1051 Lea Drive - Collegeville, PA 19426 Tel. 215 513 9400 - Fax 610 831 0215 www.ws bathcollections.com - info@ws bathcollections.com
-----------------------------	--------------------------------	--	---



Collection
Picola

Model |
Picola 52535

Dimensions Metric
1 inch = 2.54 cm
1 inch = 25.4 mm

WS[®]
BATH
COLLECTIONS

1051 Lea Drive - Collegeville, PA 19426
Tel. 215 513 9400 - Fax 610 831 0215
www.ws bathcollections.com - info@ws bathcollections.com