

W H I T E
S T O N E

AXA ONE S.r.l.

Via Gargarasi - Zona Industriale
01033 Civita Castellana, VITERBO ITALY
Tel. +39 0761.540175 Fax +39 0761.540721
axaone@axaone.it
www.axaone.it

QUAD 80 : LAVABO DA PIANO E SOSPESO
OVERTOP AND WALLHUNG BASIN

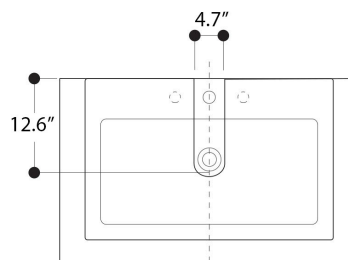
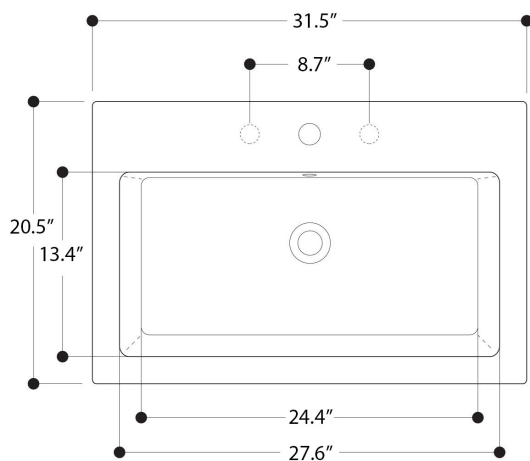
CODICE/CODE: WS02901F

MISURE/SIZE: 80x52 H15 CM

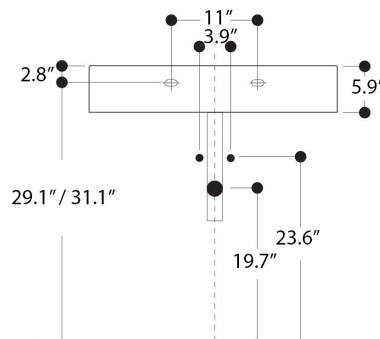
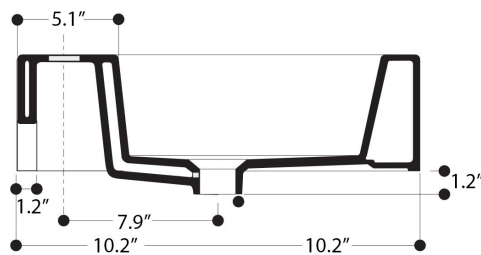
PESO/WEIGHT: 12 KG

N.B.: Le misure indicate possono subire una variazione dello 0,8 % circa, dovuta ad usura stampi o a piccole variazioni delle caratteristiche tecniche relative alle materie prime che compongono l'impasto.

N.B.: Indicated size could have a variation of about 0,8 % due to the usure of the moulds or the small variations of the raw materials' technical characteristics used in the mixture.



misure scasso sul piano
sizes of cut on the top



Collection
Quad

Model |
Quad 80

Dimensions Metric

1 inch = 2.54 cm
1 inch = 25.4 mm

WS[®]
BATH
COLLECTIONS

1051 Lea Drive - Colleville, PA 19426
Tel. 215 513 9400 - Fax 610 831 0215
www.ws bathcollections.com - info@ws bathcollections.com

We recommend the following items that work with your sink.

TRAPS



Linea 53922
Our best seller



Linea 5392



Linea 53925



Linea 53921
Space saving

DRAINS



Linea 53991
Push waste drain (click clack)
with overflow

MOUNTING HARDWARE

Wall-mount installation

Vessel/ countertop installation



Bolts



Silicone (*optional*)

Collection
Quad

Model |
Quad 80

Dimensions Metric
1 inch = 2.54 cm
1 inch = 25.4 mm

WS[®]

**BATH
COLLECTIONS**

1051 Lea Drive - Collegeville, PA 19426
Tel. 215 513 9400 - Fax 610 831 0215
www.ws bathcollections.com - info@ws bathcollections.com