

Retro 1049

Features



- Bathroom Console Unit
- Made of Ceramic
- Sink in Ceramic White
- Legs in Polished Chrome
- With Overflow
- Free Standing Installation
- Available With One or Three Faucet Holes (4" or 8" Spread)
- Designed by Massimiliano Cicconi
- Made in Italy



Related Items:

- WSBC 53991 | Push Waste Drain
- WSBC 53922 | Decorative Trap


Finishes:

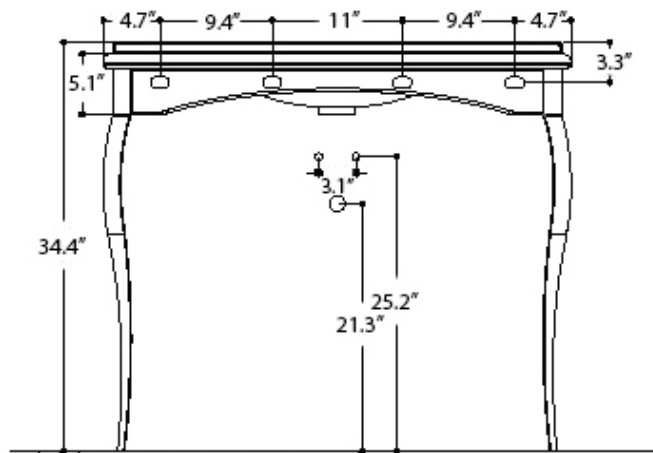
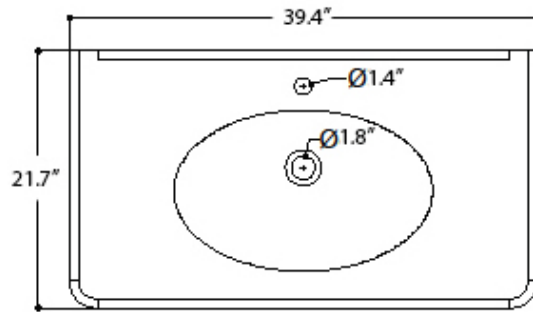
-  Sink: Ceramic White
-  Legs: Polished Chrome

SKU# | Options:

- Retro 1049.01 | One Faucet Hole
- Retro 1049.03-4 | Three Faucet Holes 4" Spread
- Retro 1049.03-8 | Three Faucet Holes 8" Spread

* WS Bath Collections reserves the right to revise dimensions or information on this sheet without notice

Collection Retro	Model Retro 1049	Dimensions Metric <i>1 inch = 2.54 cm</i> <i>1 inch = 25.4 mm</i>	 1051 Lea Drive - Collegeville, PA 19426 Tel. 215 513 9400 - Fax 610 831 0215 www.ws bathcollections.com - info@ws bathcollectins.com
------------------------------	------------------------------	--	---



Collection
Retro

Model |
Retro 1049

Dimensions Metric

1 inch = 2.54 cm
1 inch = 25.4 mm

WS[®]
BATH
COLLECTIONS

1051 Lea Drive - Collegeville, PA 19426
Tel. 215 513 9400 - Fax 610 831 0215

www.ws bathcollections.com - info@ws bathcollections.com

We recommend the following items that work with your sink.

Retro 1049

TRAPS



WSBC 53922
Our best seller

Polished Chrome
WSBC 53922.29

Matte Black
WSBC 53922.22



WSBC 5392

Polished Chrome
WSBC 5392.29



WSBC 53925

Polished Chrome
WSBC 53925.29



WSBC 53921
Space saving

Polished Chrome
WSBC 53921.29

Matte Black
WSBC 53921.22

DRAINS



WSBC 53991
Push waste drain (click clack)
with overflow

Polished Chrome
WSBC 53991.29

Matte Black
WSBC 53995.22

MOUNTING HARDWARE

Wall-mount installation

Vessel/ countertop installation



Bolts



Silicone (*optional*)

Collection
Retro

Model |
Retro 1049

Dimensions Metric
1 inch = 2.54 cm
1 inch = 25.4 mm

WS[®]
BATH
COLLECTIONS

1051 Lea Drive - Collegeville, PA 19426
Tel. 215 513 9400 - Fax 610 831 0215
www.ws bathcollections.com - info@ws bathcollections.com