

Product Specs Sheets

SPECCHIO CON TELAIO INOX
MIRROR WITH STAINLESS STEEL FRAME

WEIGHT 15.3 LBS
VOLUME m³ 0,0312

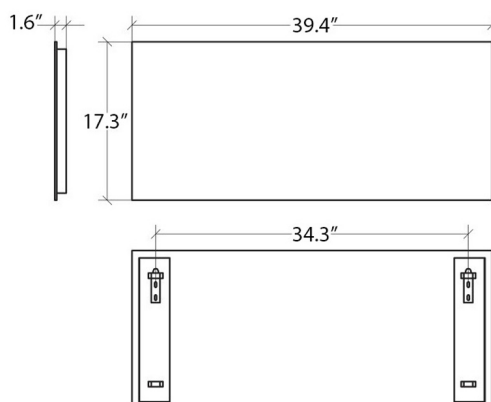


5 YEARS SILVERING GUARANTEED

MAINTENANCE

Pulire con panno morbido inumidito. Non usare ammoniaca, detersivi, abrasivi contenenti candeggina

Clean with warm soapy water. Never use ammonia, abrasives, bleach or solvent based cleaners.



Collection
Speci

Model |
Speci 5656

Dimensions Metric

1 inch = 2.54 cm
1 inch = 25.4 mm

WS[®]
BATH
COLLECTIONS

1051 Lea Drive - Collegeville, PA 19426
Tel. 215 513 9400 - Fax 610 831 0215
www.ws bathcollections.com - info@ws bathcollections.com