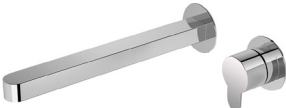


Features


- Modern Wall-Mounted Bathroom Faucet with 1-Handle
- Single handle lever controls water flow and temperature
- Polished Chrome Finish
- Made of Lead-Free Solid Brass
- Requires 2-Hole Installation
- Flow Rate: 1.5 GPM
- Spout Reach: 9.4"

Clip T9.16

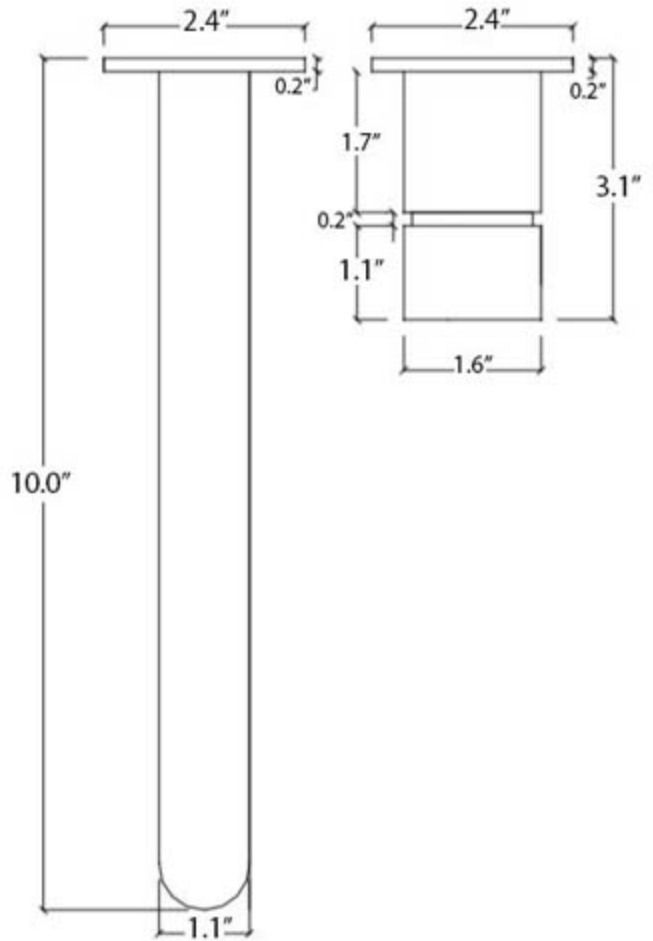
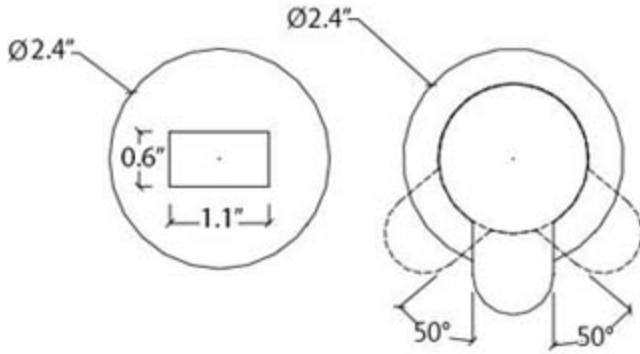
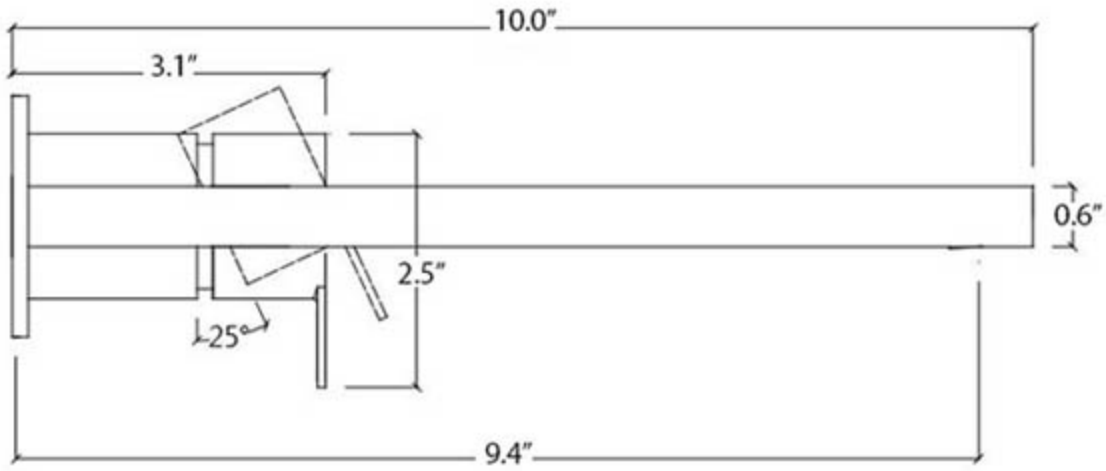


Finishes

 Polished Chrome

Collection Clip	Model Clip T9.16	Dimensions Metric <i>1 inch = 2.54 cm</i> <i>1 inch = 25.4 mm</i>	 1051 Lea Drive - Collegeville, PA 19426 Tel. 215 513 9400 - Fax 610 831 0215 www.ws bathcollections.com - info@ws bathcollectins.com
---------------------------	------------------------------	--	---

Product Specs Sheets



Collection
Clip

Model |
Clip T9.16

Dimensions Metric

1 inch = 2.54 cm

1 inch = 25.4 mm

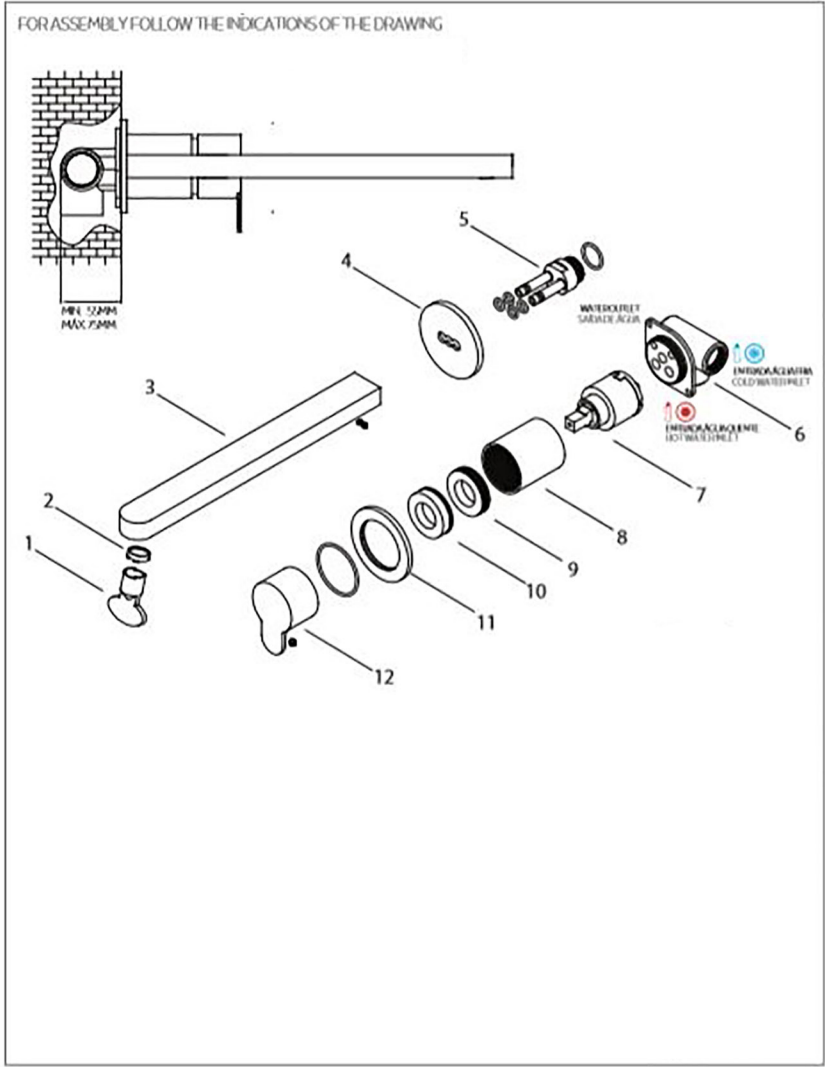
WS®
BATH
COLLECTIONS

1051 Lea Drive - Collegeville, PA 19426
Tel. 215 513 9400 - Fax 610 831 0215

www.ws bathcollections.com - info@ws bathcollectins.com

Product Specs Sheets

ASSEMBLY INSTRUCTIONS



TECHNICAL DATA

Nº	REFERENCE	DESCRIPTION
01	AR9.24	AERATOR
02	—	KEY AERATOR
03	—	SPOUT
04	ES9.60BP	PLATE SPOUT
05	—	SPOUT ADAPTER
06	—	FORGED BASE
07	CR9.35	CARTRIDGE
08	—	HOOD
09	—	LOCKNUT
10	—	CARTRIDGE CONCEALER
11	ES9.60MP	HANDLE PLATE
12	MA9.41P	HANDLE

INSTALLATION RECOMENDATIONS

Before installing a tap, it is good to rinse the supply pipes to remove all residues. We also recommend installing the taps with a filter. The installation of the tap must be done with the surface clean and dry. To perform the water pressure test, the taps must be open.

CLEANING AND MAINTENANCE

Cleaning must be done with liquid soap and water. Do not use liquid detergents containing abrasive or acidic substances, abrasive sponges or disinfectants. Incorrect cleaning may permanently ruin the surface of taps.

On color finishings, do not use products containing alcohol, acetone and other solvents.

Collection
Clip

Model |
Clip T9.16

Dimensions Metric

1 inch = 2.54 cm

1 inch = 25.4 mm

WS®
BATH
COLLECTIONS

1051 Lea Drive - Collegeville, PA 19426
Tel. 215 513 9400 - Fax 610 831 0215

www.ws bathcollections.com - info@ws bathcollectins.com