

## Under TP 214

### Features

- Bathroom Sink
- Glossy White
- Under Mount Installation
- With Overflow
- Made in Europe



### Related Items:

- WSBC 53991 | Push Waste Drain
- WSBC 53922 | Decorative Trap

### Finishes




### SKU# | Options

- Under TP 214 | Glossy White

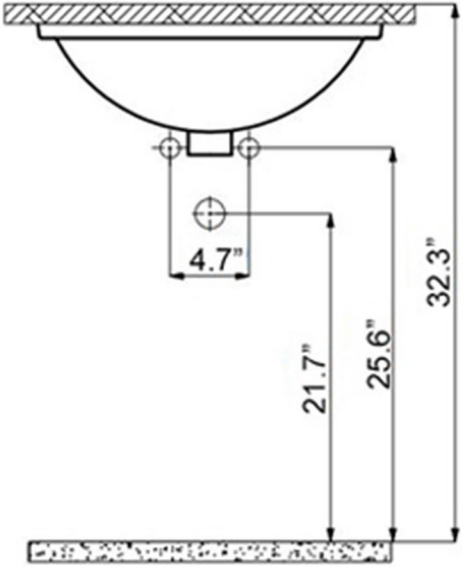
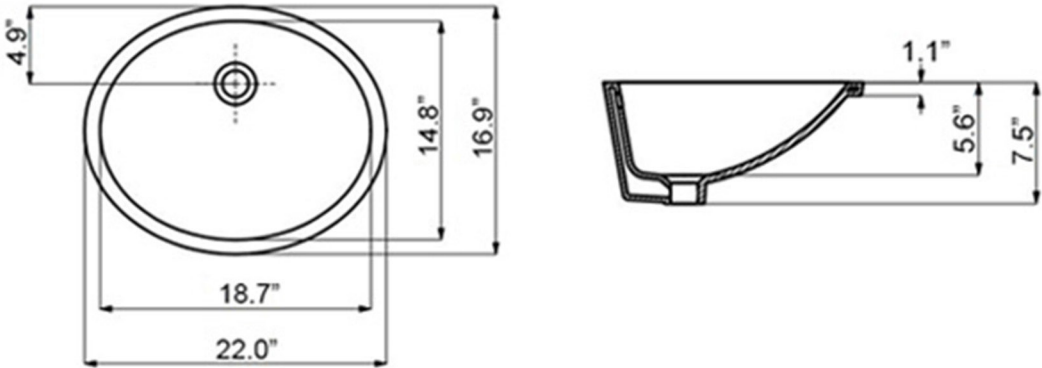
### Codes & Standards:

- ADA Compliant when Installed to ADA Guidelines

\* WS Bath Collections reserves the right to revise dimensions or information on this sheet without notice

|                            |                                |   |   |
|----------------------------|--------------------------------|---|---|
| <b>Collection</b><br>Under | <b>Model  </b><br>Under TP 214 | Dimensions Metric<br><i>1 inch = 2.54 cm</i><br><i>1 inch = 25.4 mm</i> | <br>1051 Lea Drive - Collegeville, PA 19426<br>Tel. 215 513 9400 - Fax 610 831 0215<br><a href="http://www.ws bathcollections.com">www.ws bathcollections.com</a> - <a href="mailto:info@ws bathcollectins.com">info@ws bathcollectins.com</a> |
|----------------------------|--------------------------------|---|---|

# Product Specs Sheets



**Collection**  
Under

**Model** |  
Under TP 214

Dimensions Metric  
1 inch = 2.54 cm  
1 inch = 25.4 mm

**WS**®  
**BATH**  
**COLLECTIONS**

1051 Lea Drive - Collegeville, PA 19426  
Tel. 215 513 9400 - Fax 610 831 0215  
[www.ws bathcollections.com](http://www.ws bathcollections.com) - [info@ws bathcollectins.com](mailto:info@ws bathcollectins.com)

# Product Specs Sheets

We recommend the following items that work with your sink.

## TRAPS



WSBC 53922  
*Our best seller*



WSBC 5392



WSBC 53925



WSBC 53921  
*Space saving*

## DRAINS



WSBC 53991  
Push waste drain (click clack)  
*with overflow*

## MOUNTING HARDWARE

### Wall-mount installation



Bolts

### Vessel/ countertop installation



Silicone (*optional*)

Collection  
Wpf gt"VR"436

Model |  
Wpf gt"VR"436

Dimensions Metric  
1 inch = 2.54 cm  
1 inch = 25.4 mm

**WS**®  
**BATH**  
**COLLECTIONS**  
1051 Lea Drive - Collegeville, PA 19426

Tel. 215 513 9400 - Fax 610 831 0215  
[www.ws bathcollections.com](http://www.ws bathcollections.com) - [info@ws bathcollections.com](mailto:info@ws bathcollections.com)