

# Product Specs Sheets

## MAGNIFYING MIRROR DOUBLE ARM art. C35/2 KK

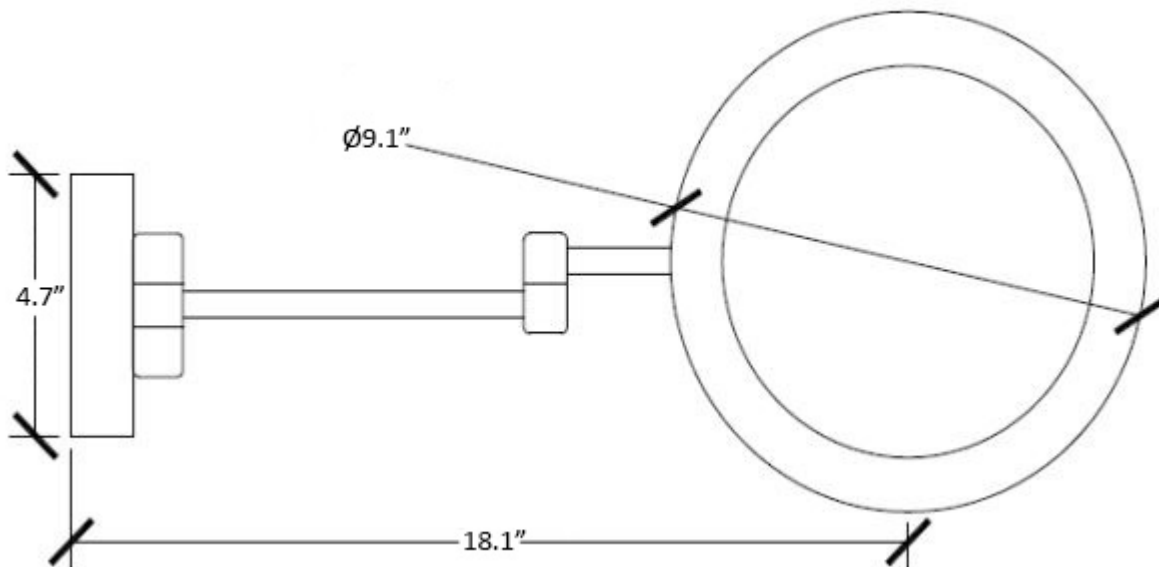
**LED: 110V, 50Hz, 48LED, 12Volt, 2WATT, IP23 CE**

### MATERIALS

Direct power supply

Notes: magnification X2 X3

Energy class: A>A++



Collection  
Discolo

Model |  
Discolo LED 35-2

Dimensions Metric

1 inch = 2.54 cm  
1 inch = 25.4 mm

**WS**<sup>®</sup>  
BATH  
COLLECTIONS

1051 Lea Drive - Collegeville, PA 19426  
Tel. 215 513 9400 - Fax 610 831 0215

[www.ws bathcollections.com](http://www.ws bathcollections.com) - [info@ws bathcollections.com](mailto:info@ws bathcollections.com)