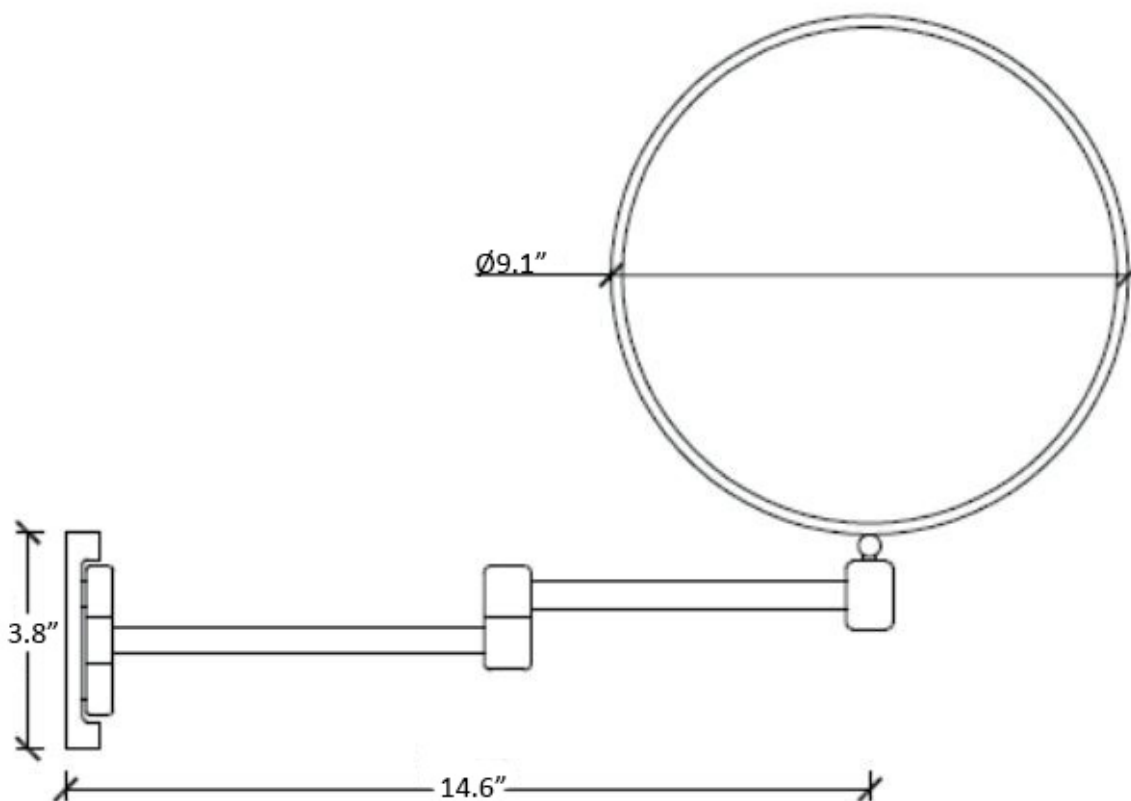
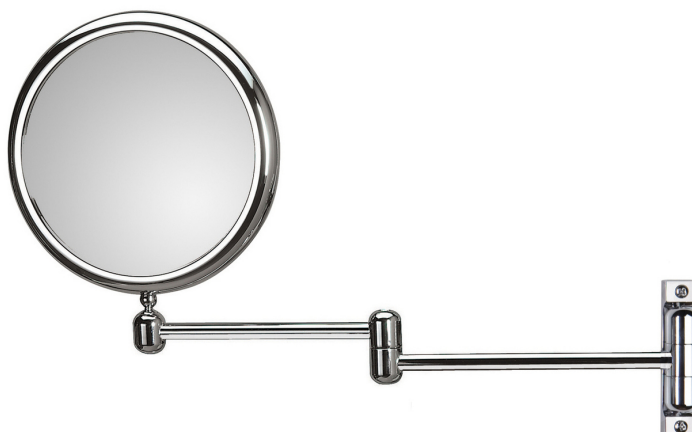


# Product Specs Sheets

## DOUBLE SIDED MIRROR DOUBLE ARM art. 40/2 KK



Collection  
Doppiolo

Model |  
Doppiolo 40-2

Dimensions Metric  
*1 inch = 2.54 cm*  
*1 inch = 25.4 mm*

**WS**<sup>®</sup>  
BATH  
COLLECTIONS

1051 Lea Drive - Collegeville, PA 19426  
Tel. 215 513 9400 - Fax 610 831 0215  
[www.ws bathcollections.com](http://www.ws bathcollections.com) - [info@ws bathcollections.com](mailto:info@ws bathcollections.com)