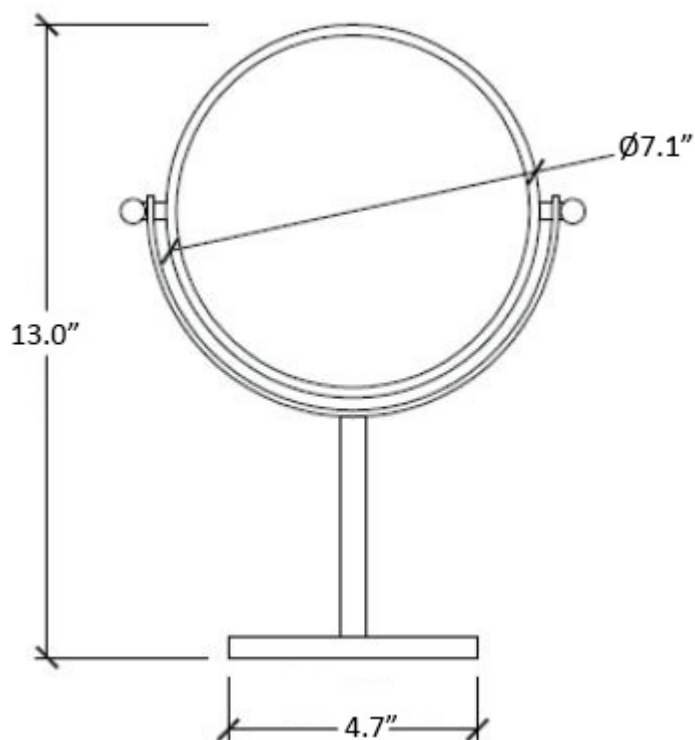


Product Specs Sheets

MAGNIFYING MIRROR TABLE MIRROR art. 46/1 KK



Collection
Doppiolo

Model |
Doppiolo 46-1

Dimensions Metric
1 inch = 2.54 cm
1 inch = 25.4 mm

WS[®]
BATH
COLLECTIONS

1051 Lea Drive - Collegeville, PA 19426
Tel. 215 513 9400 - Fax 610 831 0215
www.ws bathcollections.com - info@ws bathcollections.com