

## Features

- Ceramic
- With overflow
- Wall-mount installation
- ADA Compliant

## Energy 85



### SKU# | Option:

- Energy 85.01 | One faucet hole
- Energy 85.03 | Three faucet holes

**Collection**  
Energy

**Model |**  
Energy 85

Dimensions Metric

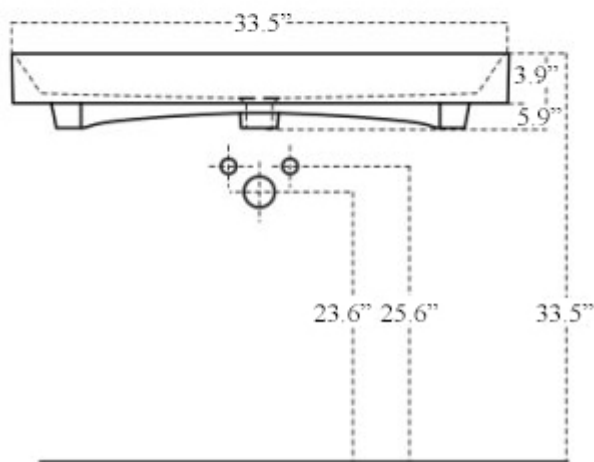
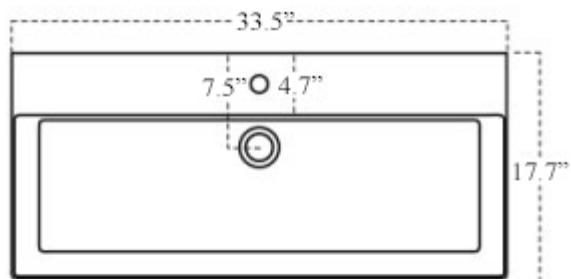
*1 inch = 2.54 cm*

*1 inch = 25.4 mm*

**WS**<sup>®</sup>  
**BATH**  
**COLLECTIONS**

1051 Lea Drive - Collegeville, PA 19426  
Tel. 215 513 9400 - Fax 610 831 0215

[www.ws bathcollections.com](http://www.ws bathcollections.com) - [info@ws bathcollectins.com](mailto:info@ws bathcollectins.com)



Collection  
Energy

Model |  
Energy 85

Dimensions Metric  
1 inch = 2.54 cm  
1 inch = 25.4 mm

**WS**<sup>®</sup>  
BATH  
COLLECTIONS

1051 Lea Drive - Collegeville, PA 19426  
Tel. 215 513 9400 - Fax 610 831 0215  
[www.ws bathcollections.com](http://www.ws bathcollections.com) - [info@ws bathcollections.com](mailto:info@ws bathcollections.com)

We recommend the following items that work with your sink.

## TRAPS



Linea 53922  
*Our best seller*



Linea 5392



Linea 53925



Linea 53921  
*Space saving*

## DRAINS



Linea 53991  
Push waste drain (click clack)  
*with overflow*

## MOUNTING HARDWARE

### Wall-mount installation



Bolts

### Vessel/ countertop installation



Silicone (*optional*)

Collection  
Energy

Model |  
Energy 85

Dimensions Metric

1 inch = 2.54 cm  
1 inch = 25.4 mm

**WS**®  
**BATH**  
**COLLECTIONS**

1051 Lea Drive - Collegeville, PA 19426  
Tel. 215 513 9400 - Fax 610 831 0215

[www.ws bathcollections.com](http://www.ws bathcollections.com) - [info@ws bathcollections.com](mailto:info@ws bathcollections.com)